



---

Compact Panel PC with Expansion Slot  
– Touchscreen / IPC479 –

Mechanical Dimensions  
Supplement to leaflet

Issue 1.00

11.3.2009

**MSC Tuttlingen GmbH**

Rudolf-Diesel-Straße 17  
D-78532 Tuttlingen

Tel. +49 7461 925 200

Fax +49 7461 925 268

E-Mail [sales@msc-tuttlingen.de](mailto:sales@msc-tuttlingen.de)

[www.msc-tuttlingen.com](http://www.msc-tuttlingen.com)





## Contents

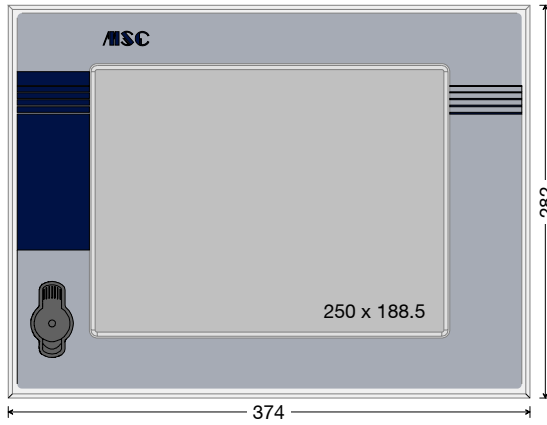
<b>1</b>	<b>BeBo with 12.1" display</b> .....	<b>3</b>
1.1	Front panel .....	3
1.2	Device dimensions .....	4
	BeBo1-T/x-xxx/12,1/.....	4
1.3	Fitting dimensions .....	6
<b>2</b>	<b>BeBo with 15.0" display</b> .....	<b>7</b>
2.1	Front panel .....	7
2.2	Device dimensions .....	8
	BeBo1-T/x-xxx/15,0/.. · BeBo1-T/x-xxx/15,0/..V2A · BeBo1-G/x-xxx/15,0/..V2A.....	8
2.3	Fitting dimensions .....	10
<b>3</b>	<b>BeBo with 17.0" display</b> .....	<b>11</b>
3.1	Front panel .....	11
3.2	Device dimensions .....	12
	BeBo1-T/x-xxx/17,0/.....	12
3.3	Fitting dimensions .....	14
<b>4</b>	<b>BeBo with 19.0" display</b> .....	<b>15</b>
4.1	Front panel .....	15
4.2	Device dimensions .....	16
	BeBo1-T/x-xxx/19,0/.. · BeBo1-T/x-xxx/19,0/..V2A · BeBo1-G/x-xxx/19,0/..V2A.....	16
4.3	Fitting dimensions .....	18
<b>5</b>	<b>Cover for drive unit on the rear side of the housing [option]</b> .....	<b>19</b>
	DVD-ROM/DVD-RW drive unit [Slimline].....	19
<b>6</b>	<b>Nomenclature</b> .....	<b>20</b>

## Table of Figures

Fig. 1-1:	BeBo1-T/x-xxx/12,1/.. – Front panel .....	3
Fig. 1-2:	BeBo1-T/x-xxx/12,1/.. – Device dimensions .....	5
Fig. 1-3:	BeBo1-T/x-xxx/12,1/.. – Fitting dimensions .....	6
Fig. 2-1:	BeBo1-T/x-xxx/15,0/.. – Front panel .....	7
Fig. 2-2:	BeBo1-x/x-xxx/15,0/.. /V2A – Front panel.....	7
Fig. 2-3:	BeBo1-T/x-xxx/15,0/.. · BeBo1-x/x-xxx/15,0/.. /V2A – Device dimensions .....	9
Fig. 2-4:	BeBo1-T/x-xxx/15,0/.. · BeBo1-x/x-xxx/15,0/.. /V2A – Fitting dimensions .....	10
Fig. 3-1:	BeBo1-T/x-xxx/17,0/.. – Front panel .....	11
Fig. 3-2:	BeBo1-T/x-xxx/17,0/.. – Device dimensions .....	13
Fig. 3-3:	BeBo1-T/x-xxx/17,0/.. – Fitting dimensions .....	14
Fig. 4-1:	BeBo1-T/x-xxx/19,0/.. – Front panel .....	15
Fig. 4-2:	BeBo1-x/x-xxx/19,0/.. /V2A – Front panel.....	15
Fig. 4-3:	BeBo1-T/x-xxx/19,0/.. · BeBo1-x/x-xxx/19,0/.. /V2A – Device dimensions.....	17
Fig. 4-4:	BeBo1-T/x-xxx/19,0/.. · BeBo1-x/x-xxx/19,0/.. /V2A – Fitting dimensions .....	18
Fig. 5-1:	Cover for DVD drive unit [Slimline] .....	19
Fig. 6-1:	Example for type identification .....	20

# 1 BeBo with 12.1" display

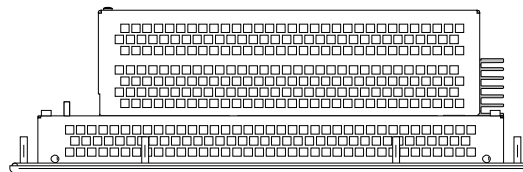
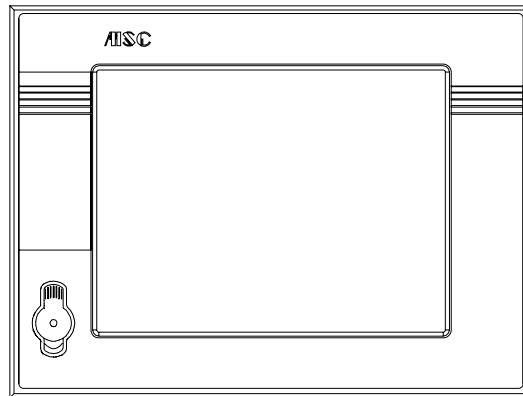
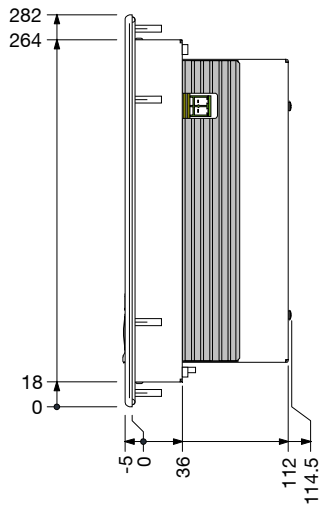
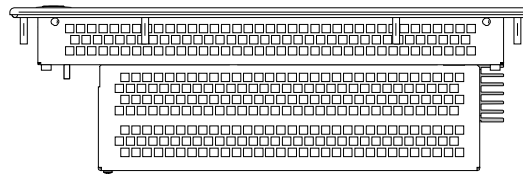
## 1.1 Front panel

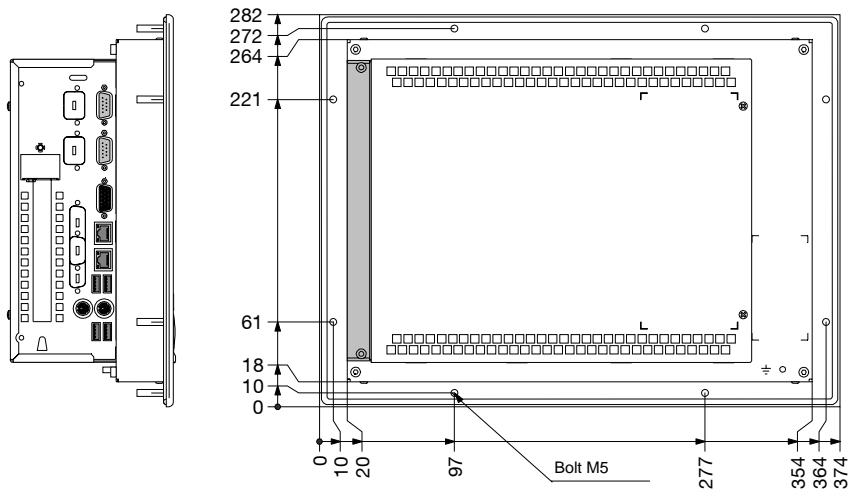


- 374 mm x 282 mm
  - 12.1" display
  - Front design MSC
  - Touchscreen
    - BeBo1-T<sup>1)</sup>/12,1/..
  - 2 x USB under covering
- <sup>1)</sup> CPU: Celeron M or Pentium M

Fig. 1-1: BeBo1-T/x-xxx/12,1/.. – Front panel

**1.2 Device dimensions**  
**BeBo1-T/x-xxx/12,1/..**





General tolerances  
ISO 2768 – mK

8 x press threaded bolt M5

Fig. 1-2: BeBo1-T/x-xxx/12,1/.. – Device dimensions

**Note:** The dimensions are for standard of device, i.e. without cover for optional drive unit on the rear side of the housing.

### 1.3 Fitting dimensions

#### Recommended installation cutout

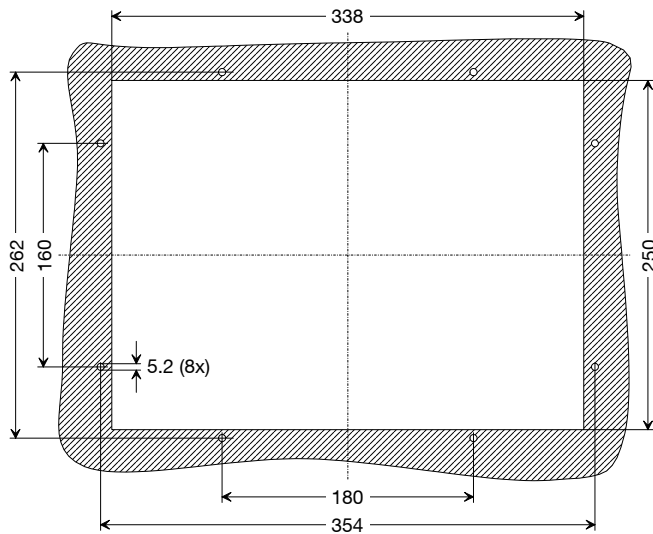
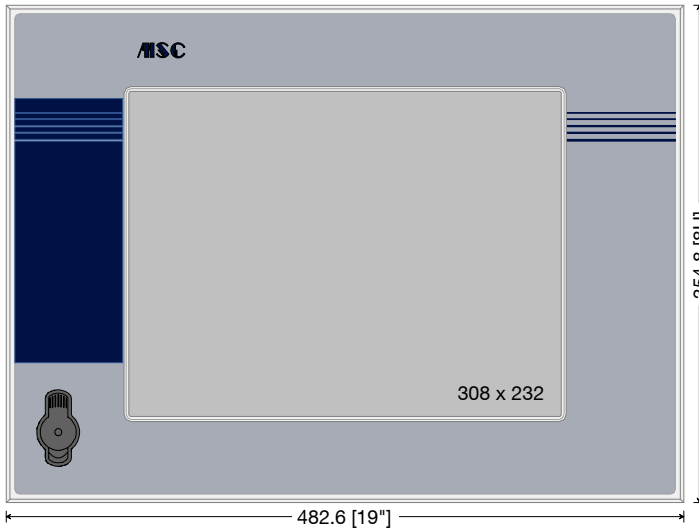


Fig. 1-3: BeBo1-T/x-xxx/12,1/.. – Fitting dimensions

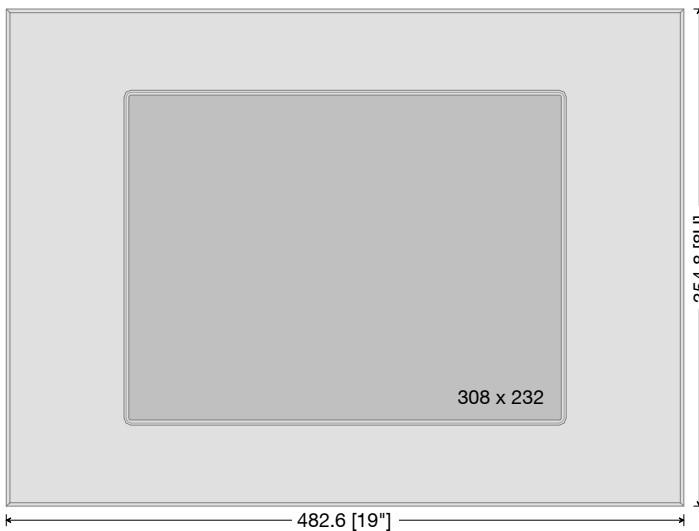
## 2 BeBo with 15.0" display

### 2.1 Front panel



- 19"/8U
  - 15.0" display
  - Front design MSC
  - Touchscreen
    - BeBo1-T<sup>1)</sup>/15,0/..
  - 2 x USB under covering
- <sup>1)</sup> CPU: Celeron M or Pentium M

Fig. 2-1: BeBo1-T/x-xxx/15,0/.. – Front panel



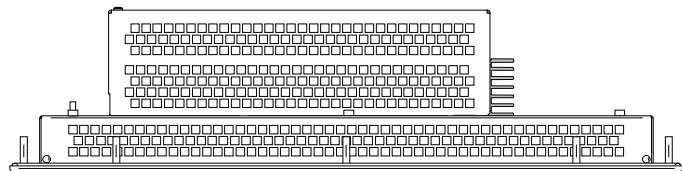
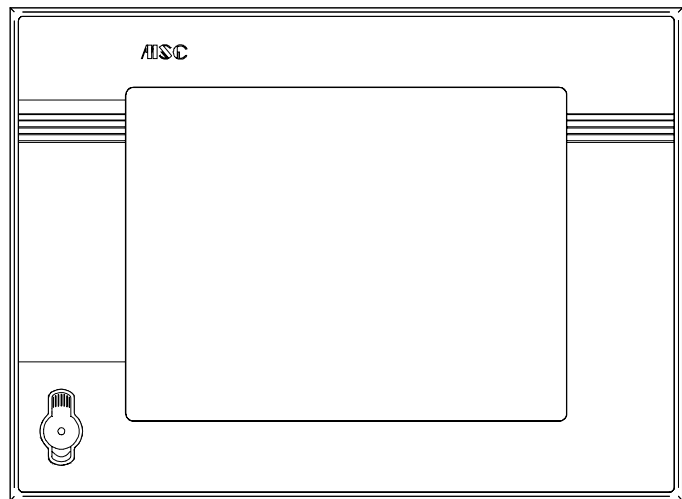
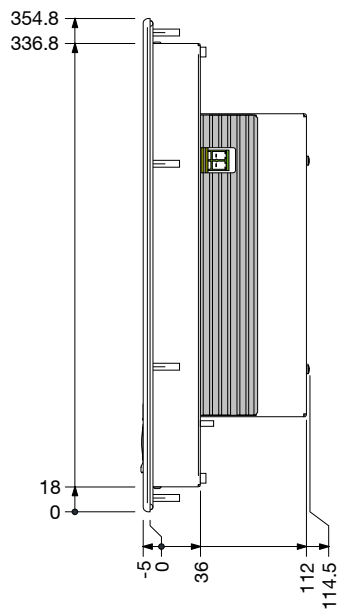
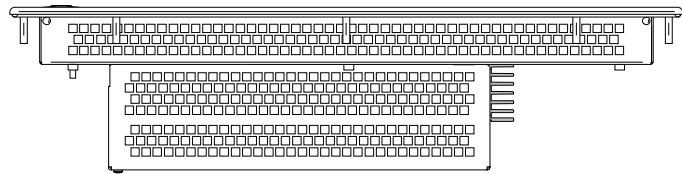
- 19"/8U
  - 15.0" display
  - Stainless steel version
  - Touchscreen
    - BeBo1-T<sup>1)</sup>/15,0/..V2A
  - Glass pane
    - BeBo1-G<sup>1)</sup>/15,0/..V2A
- <sup>1)</sup> CPU: Celeron M or Pentium M

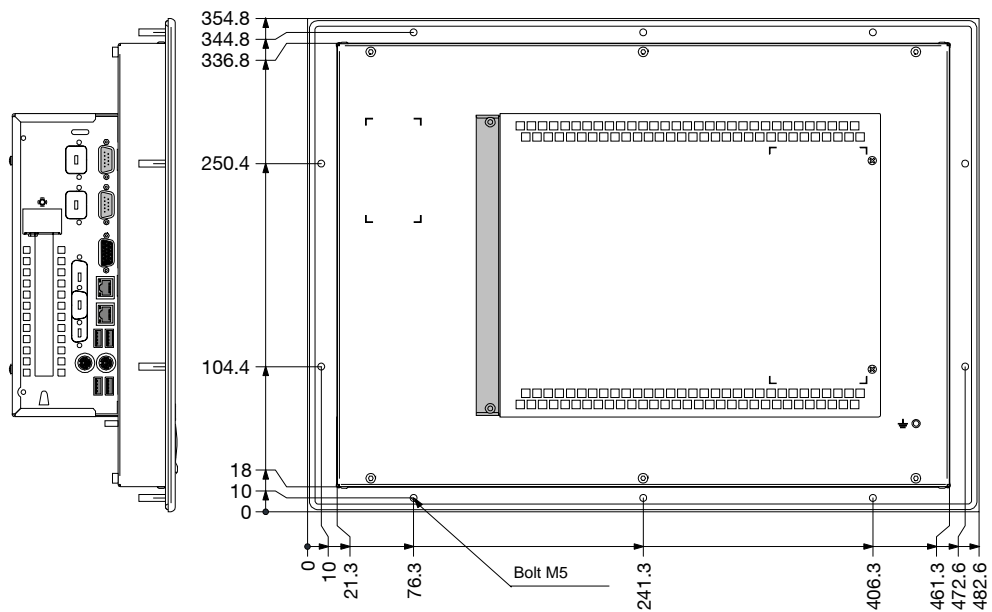
Fig. 2-2: BeBo1-x/x-xxx/15,0/..V2A – Front panel

**U = (Height) Unit**  
 1 U = 1.75"  
 = 44.45 mm

## 2.2 Device dimensions

BeBo1-T/x-xxx/15,0/.. · BeBo1-T/x-xxx/15,0/..V2A · BeBo1-G/x-xxx/15,0/..V2A





General tolerances  
ISO 2768 – mK

10 x press threaded bolt M5

Fig. 2-3: BeBo1-T/x-xxx/15,0/... · BeBo1-x/x-xxx/15,0/.../V2A – Device dimensions

**Note:** The mechanical dimensions of the BeBo1-T, BeBo1-T/.../V2A and BeBo1-G/.../V2A devices with 15.0" display, i.e. 19"/8U front panel, are identical. The figure shows BeBo1-T/x-xxx/15,0/...  
The dimensions are for standard of device, i.e. without cover for optional drive unit on the rear side of the housing.

### 2.3 Fitting dimensions

#### Recommended installation cutout

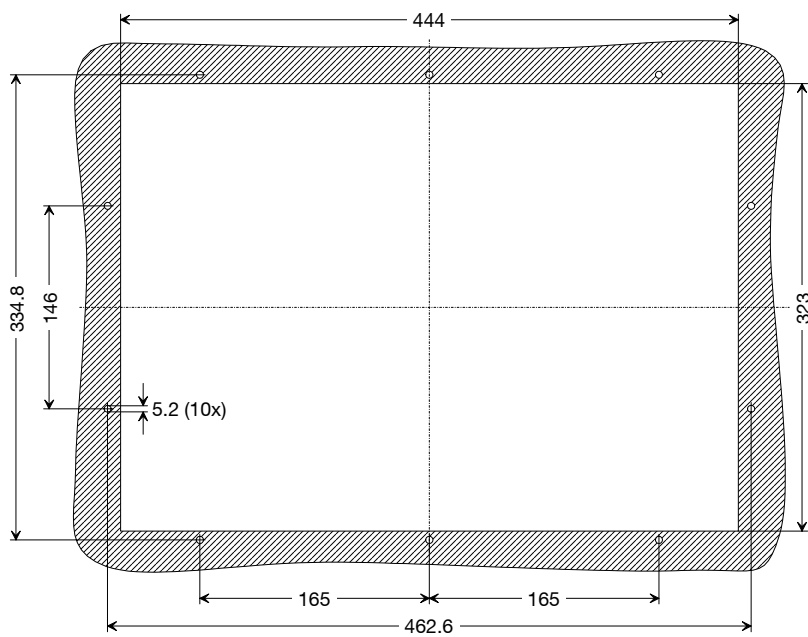
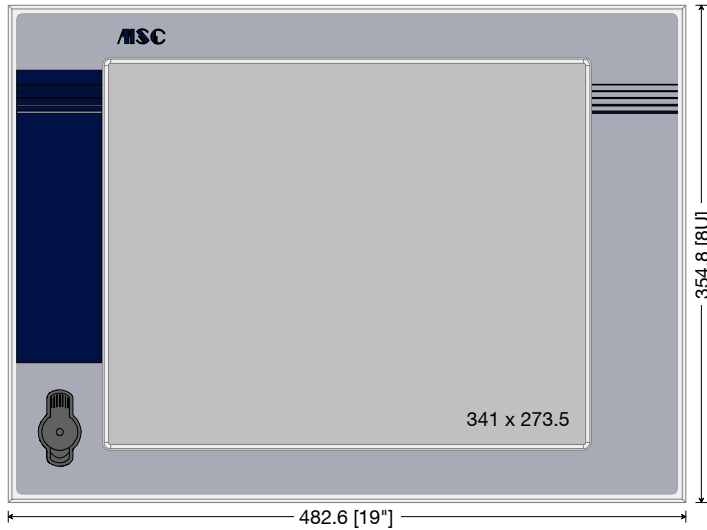


Fig. 2-4: BeBo1-T/x-xxx/15,0/.. - BeBo1-x/x-xxx/15,0/..V2A – Fitting dimensions

### 3 BeBo with 17.0" display

#### 3.1 Front panel



- 19"/8U
- 17.0" display
- Front design MSC
- Touchscreen
  - BeBo1-T<sup>1)</sup>/17,0/..
- 2 x USB under covering

<sup>1)</sup> CPU: Celeron M or Pentium M

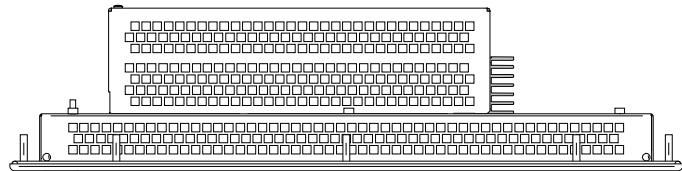
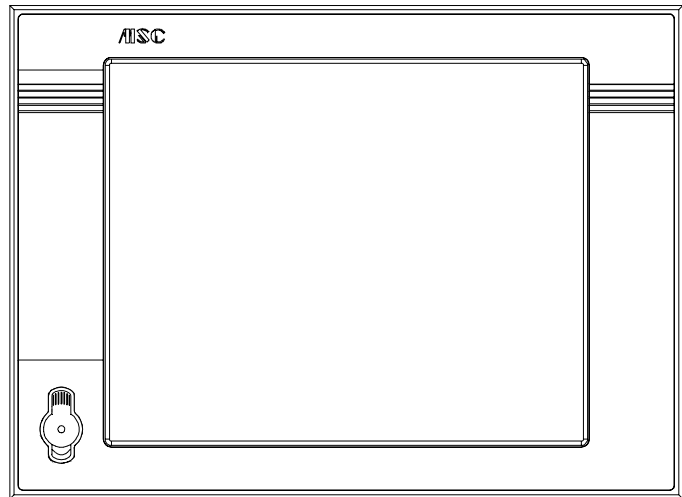
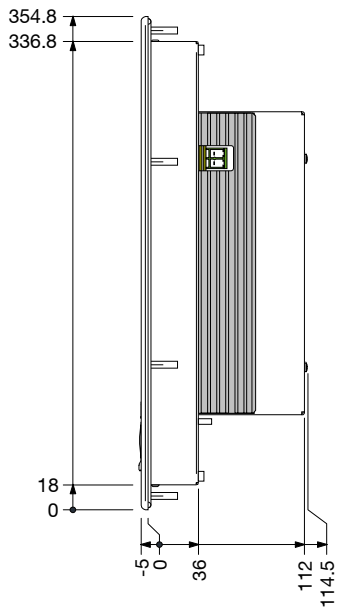
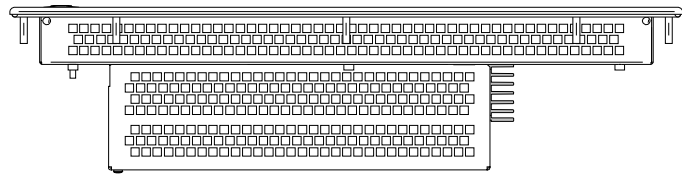
Fig. 3-1: BeBo1-T/x-xxx/17,0/.. – Front panel

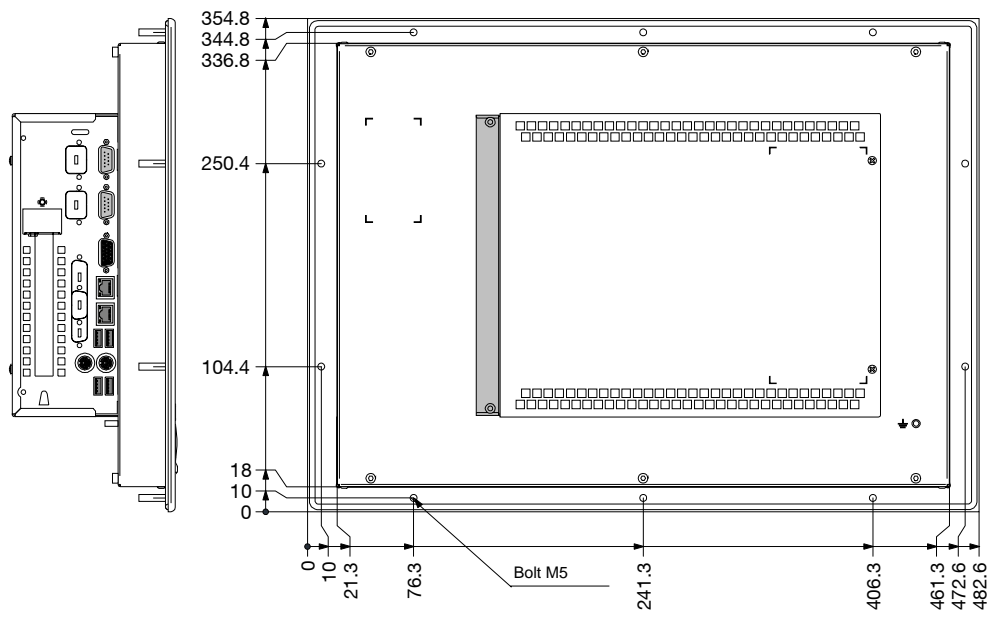
**U = (Height) Unit**

1 U = 1.75"  
= 44.45 mm

### 3.2 Device dimensions

#### BeBo1-T/x-xxx/17,0/..





General tolerances  
ISO 2768 – mK

10 x press threaded bolt M5

Fig. 3-2: BeBo1-T/x-xxx/17,0/.. – Device dimensions

**Note:** The dimensions are for standard of device, i.e. without cover for optional drive unit on the rear side of the housing.

### 3.3 Fitting dimensions

#### Recommended installation cutout

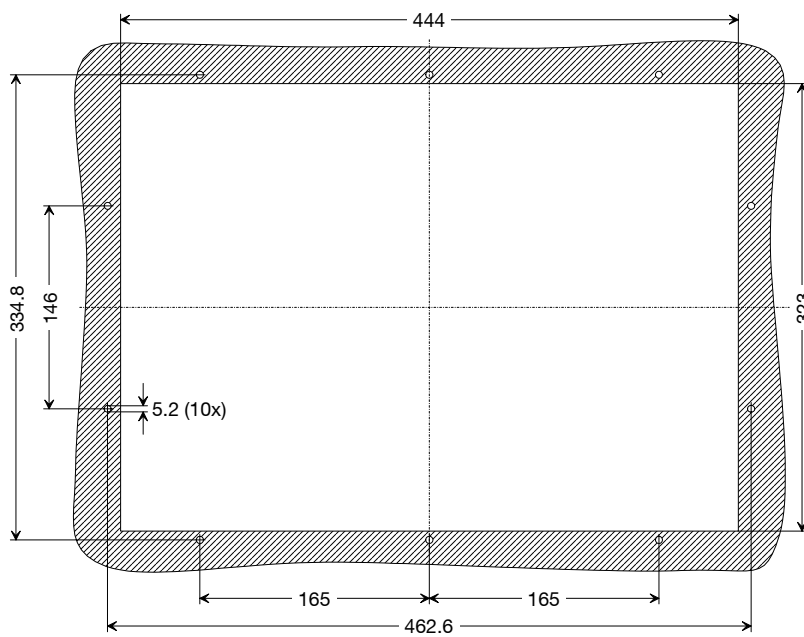
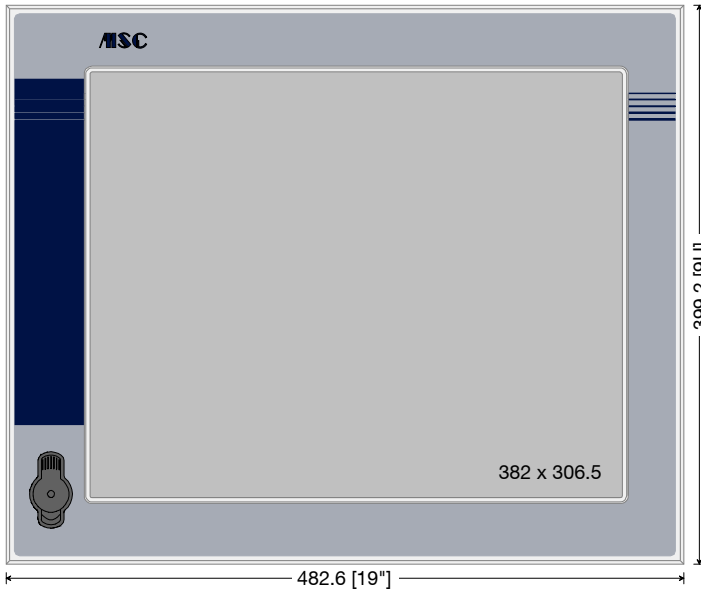


Fig. 3-3: BeBo1-T/x-xxx/17,0/.. – Fitting dimensions

## 4 BeBo with 19.0" display

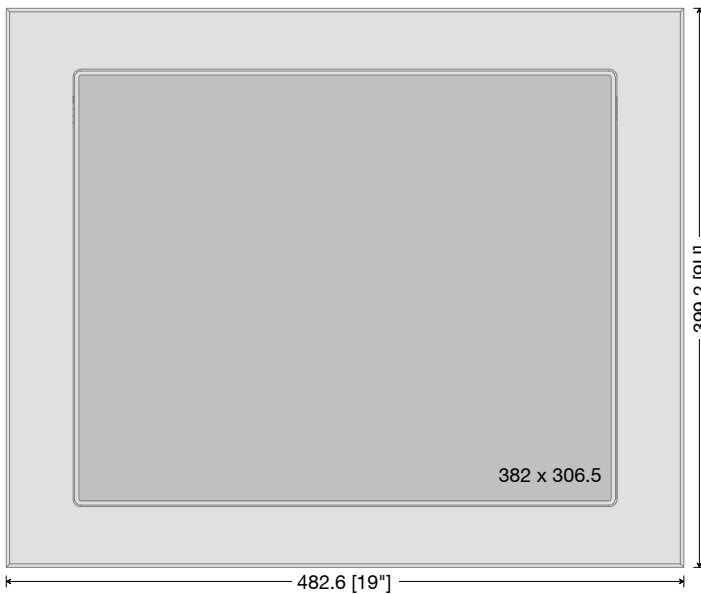
### 4.1 Front panel



- 19"/9U
- 19.0" display
- Front design MSC
- Touchscreen
  - BeBo1-T/<sup>1)</sup>/19,0/..
- 2 x USB under covering

<sup>1)</sup> CPU: Celeron M or Pentium M

Fig. 4-1: BeBo1-T/x-xxx/19,0/.. – Front panel



- 19"/9U
- 19.0" display
- Stainless steel version
- Touchscreen
  - BeBo1-T/<sup>1)</sup>/19,0/..V2A
- Glass pane
  - BeBo1-G/<sup>1)</sup>/19,0/..V2A

<sup>1)</sup> CPU: Celeron M or Pentium M

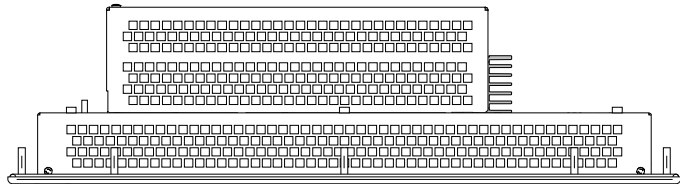
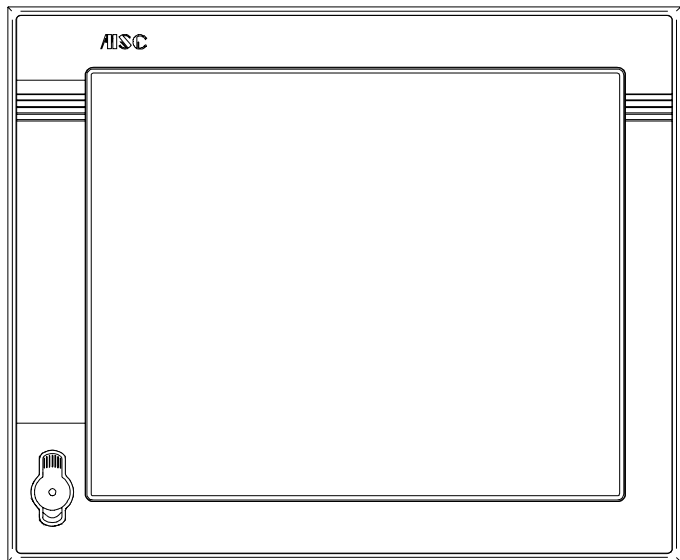
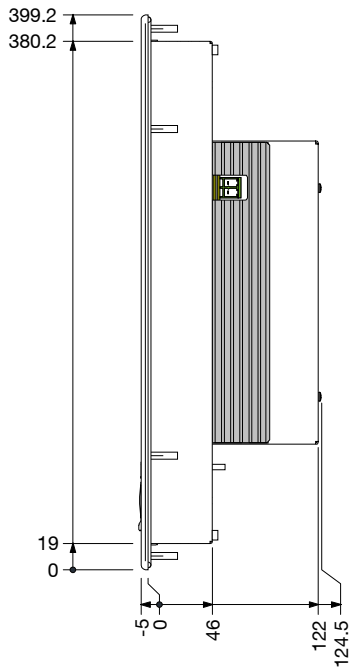
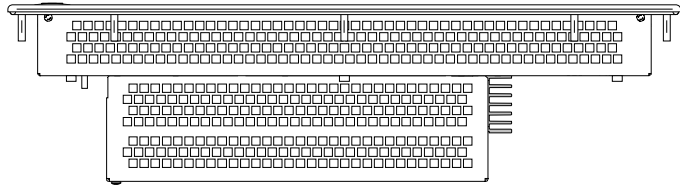
Fig. 4-2: BeBo1-x/x-xxx/19,0/..V2A – Front panel

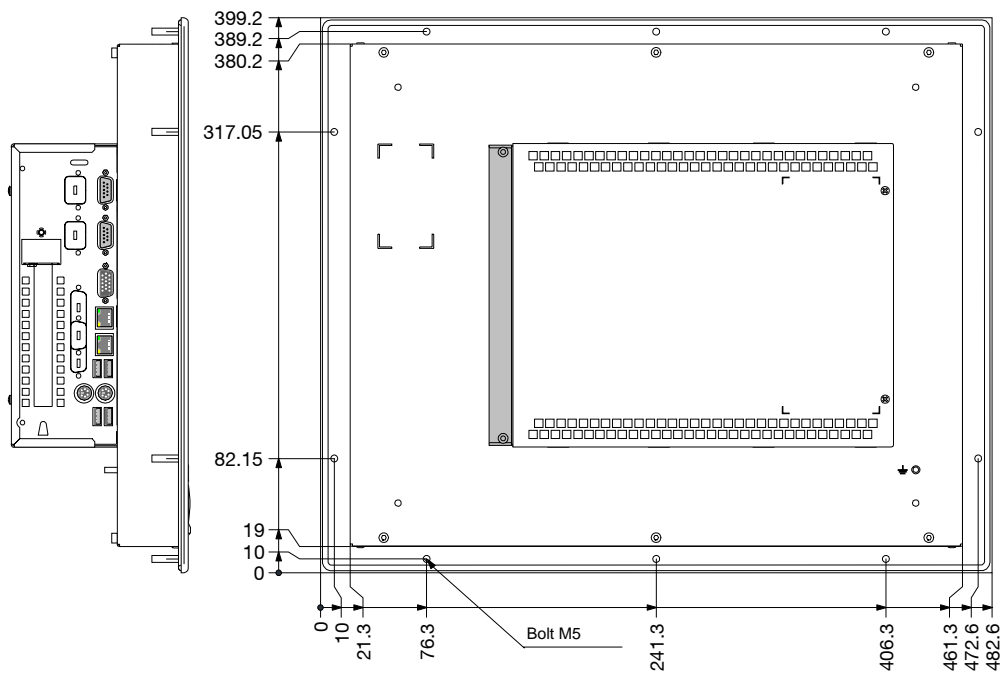
**U = (Height) Unit**

1 U = 1.75"  
= 44.45 mm

### 4.2 Device dimensions

BeBo1-T/x-xxx/19,0/.. · BeBo1-T/x-xxx/19,0/..V2A · BeBo1-G/x-xxx/19,0/..V2A





General tolerances  
ISO 2768 – mK

10 x press threaded bolt M5

Fig. 4-3: BeBo1-T/x-xxx/19,0/.. · BeBo1-x/x-xxx/19,0/..V2A – Device dimensions

**Note:** The mechanical dimensions of the BeBo1-T, BeBo1-T/..V2A and BeBo1-G/..V2A devices with 19.0" display, i.e. 19"/9U front panel, are identical. The figure shows BeBo1-T/x-xxx/19,0/... The dimensions are for standard of device, i.e. without cover for optional drive unit on the rear side of the housing.

### 4.3 Fitting dimensions

#### Recommended installation cutout

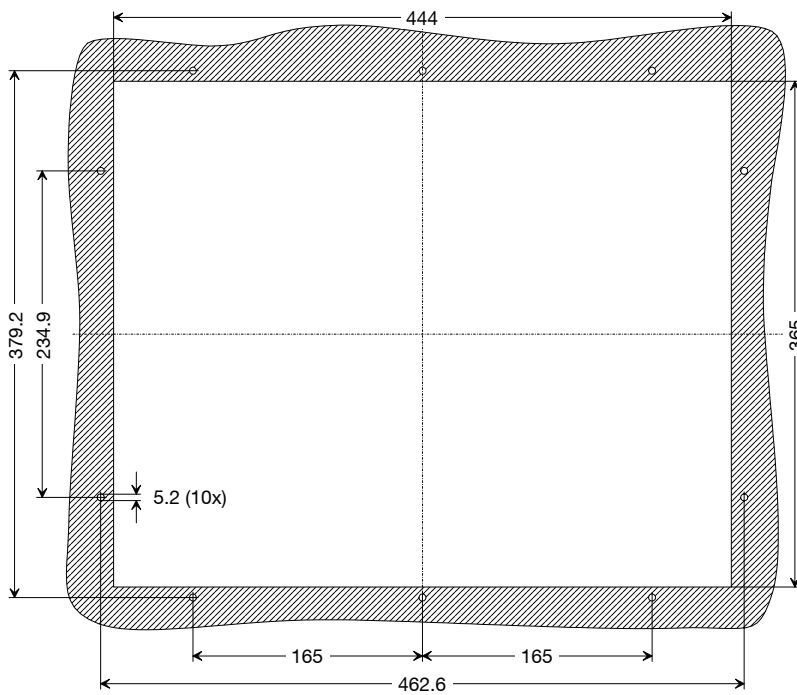


Fig. 4-4: BeBo1-T/x-xxx/19,0/.. - BeBo1-x/x-xxx/19,0/..V2A – Fitting dimensions

## 5 Cover for drive unit on the rear side of the housing [option]

It is optionally possible to integrate a drive unit on the rear side of the BeBo.

The following figure shows the housing hood of BeBo, in addition with the mounted cover of the drive unit.

**Notice:**

**installation depth (with drive unit) = installation depth (standard) + cover (drive)**

The installation depth of the total unit increases by the value of the cover, for example

BeBo1-T/x-xxx/15,0/.. with DVD drive unit:

Installation depth (with DVD) = 112 mm + 22 mm = 134 mm

### DVD-ROM/DVD-RW drive unit [Slimline]

Installation depth = Standard + 22 mm

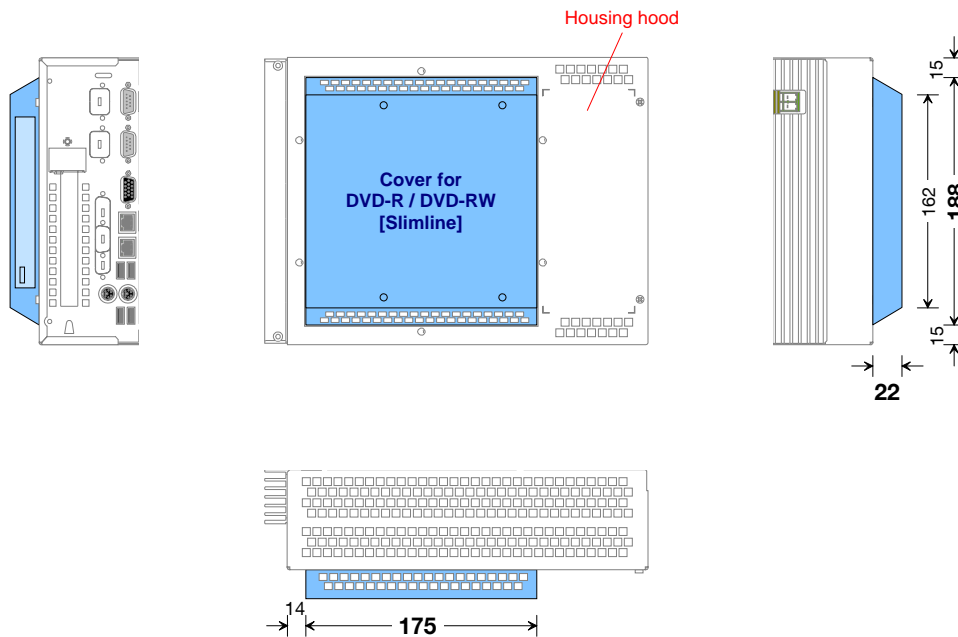


Fig. 5-1: Cover for DVD drive unit [Slimline]

## 6 Nomenclature

The identification of the different versions of BeBo type series depends on

- manner of operating panel,
- CPU,
- display size,
- hard disk,
- memory,
- operating system,
- options
  - drive unit,
  - additional interfaces,
  - stainless steel front panel.

**For example:**

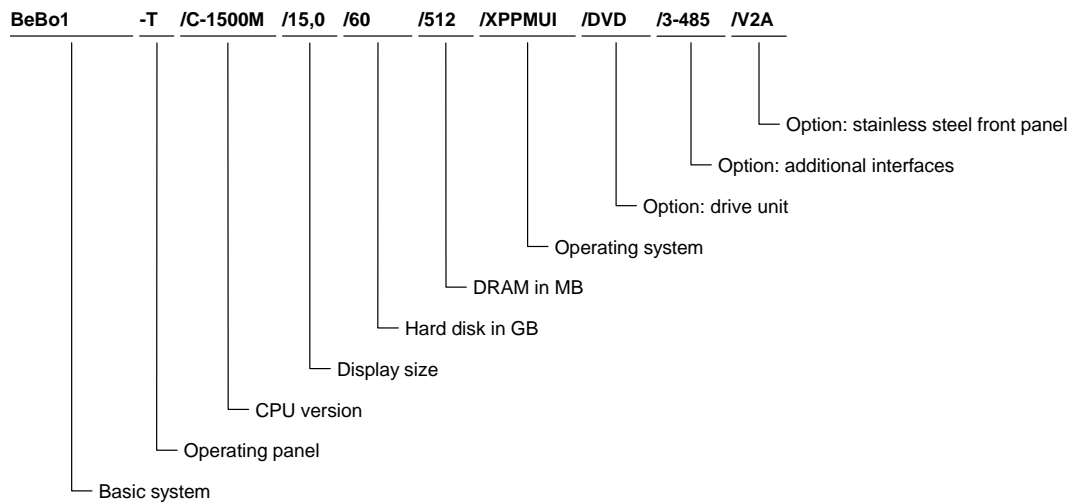


Fig. 6-1: Example for type identification