



**DIALOG**

---

Universal Industrial Computer  
– Membrane keyboard / Touchscreen / IPC479 –

Mechanical Dimensions  
Supplement to leaflet

Issue 1.00

19.3.2009

**MSC Tuttlingen GmbH**

Rudolf-Diesel-Straße 17  
D-78532 Tuttlingen

Tel. +49 7461 925 200

Fax +49 7461 925 268

E-Mail [sales@msc-tuttlingen.de](mailto:sales@msc-tuttlingen.de)

[www.msc-tuttlingen.com](http://www.msc-tuttlingen.com)





**Contents**

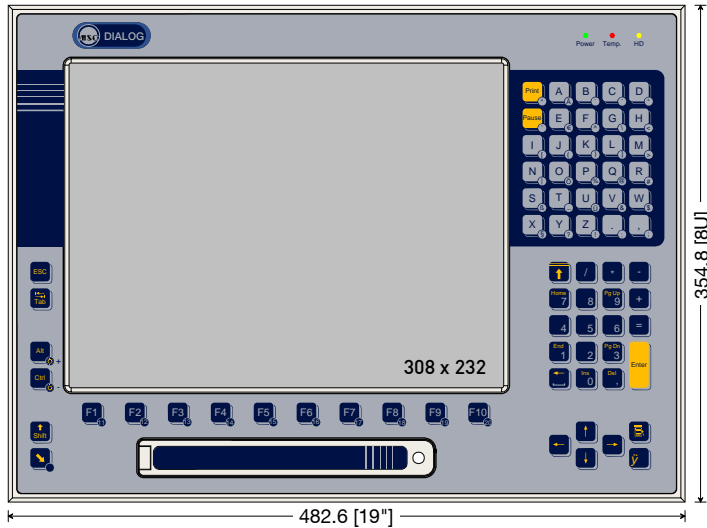
- 1      DIALOG with 15.0" display .....3**
- 1.1    Front panel .....3
- 1.2    Device dimensions .....4
- DIALOG4-K/x-xxx/15,0/. · DIALOG4-KT/x-xxx/15,0/. .....4
- 1.3    Fitting dimensions .....6
- 2      Nomenclature .....7**

## Table of Figures

Fig. 1-1:	DIALOG4-K(T)/x-xxx/15,0/.. – Front panel.....	3
Fig. 1-2:	DIALOG4-K/x-xxx/15,0/.. · DIALOG4-KT/x-xxx/15,0/.. – Device dimensions .....	5
Fig. 1-3:	DIALOG4-K/x-xxx/15,0/.. · DIALOG4-KT/x-xxx/15,0/.. – Fitting dimensions .....	6
Fig. 2-1:	Example for type identification .....	7

# 1 DIALOG with 15.0" display

## 1.1 Front panel



- 19"/8U
- 15.0" display
- Front design MSC
- Membrane keyboard
  - DIALOG4-K<sup>1)</sup>/15,0/..
- Membrane keyboard and touchscreen
  - DIALOG4-KT<sup>1)</sup>/15,0/..
- 2 x USB under the flap lid

<sup>1)</sup> CPU: Celeron M or Pentium M

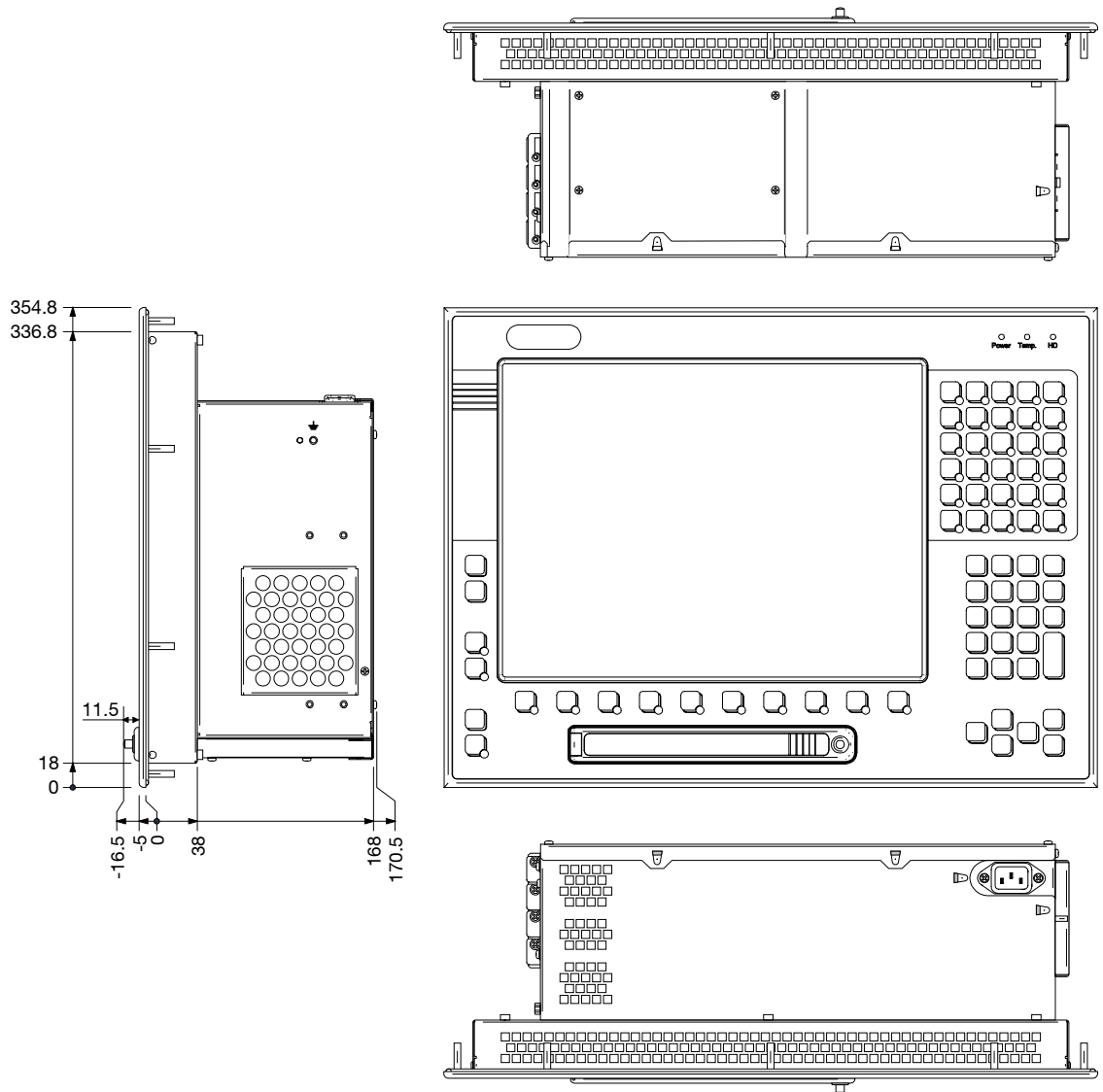
Fig. 1-1: DIALOG4-K(T)/x-xxx/15,0/.. – Front panel

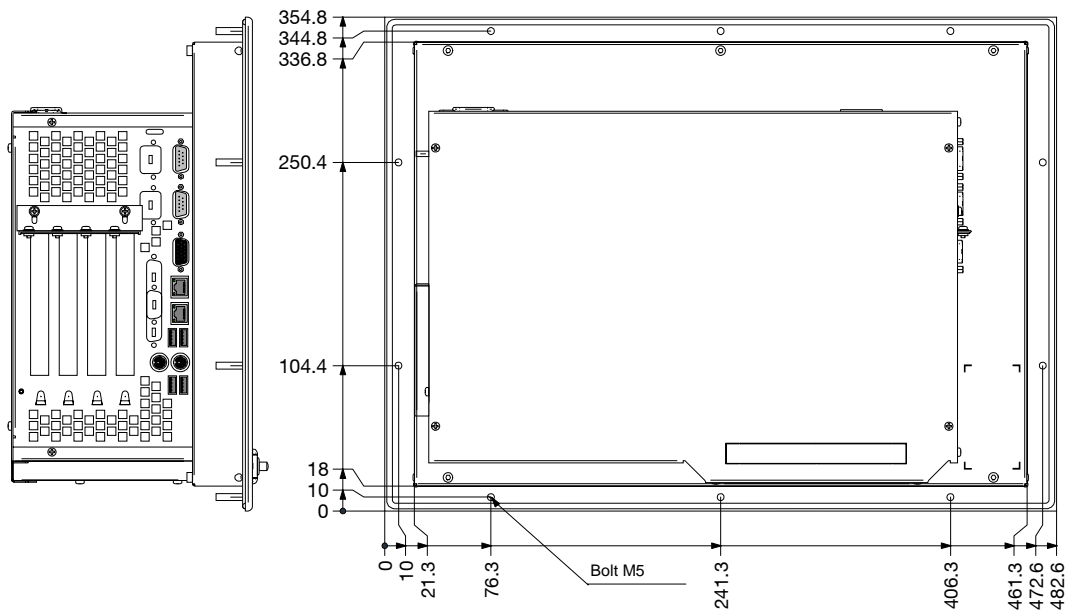
**U = (Height) Unit**

1 U = 1.75"  
= 44.45 mm

1.2 Device dimensions

DIALOG4-K/x-xxx/15,0/.. · DIALOG4-KT/x-xxx/15,0/..





General tolerances  
ISO 2768 – mK

10 x press threaded bolt M5

Fig. 1-2: DIALOG4-K/x-xxx/15,0/.. · DIALOG4-KT/x-xxx/15,0/.. – Device dimensions

**Note:** The mechanical dimensions of the DIALOG4-K and DIALOG4-KT devices with 15.0" display, i.e. 19"/8U front panel, are identical.

### 1.3 Fitting dimensions

#### Recommended installation cutout

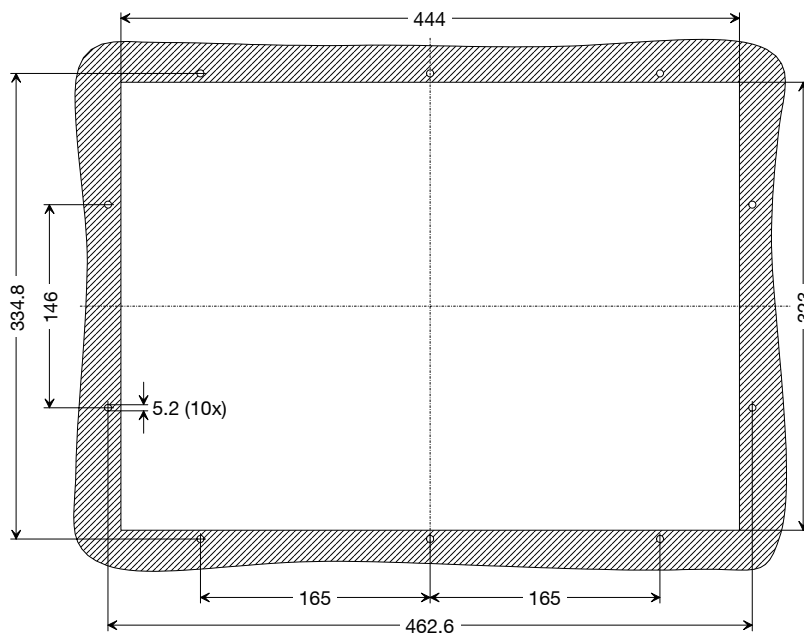


Fig. 1-3: DIALOG4-K/x-xxx/15,0/.. - DIALOG4-KT/x-xxx/15,0/.. – Fitting dimensions

## 2 Nomenclature

The identification of the different versions of DIALOG type series depends on

- manner of operating panel,
- CPU,
- display size,
- hard disk,
- memory,
- operating system,
- options
  - drive unit,
  - additional interfaces.

**For example:**

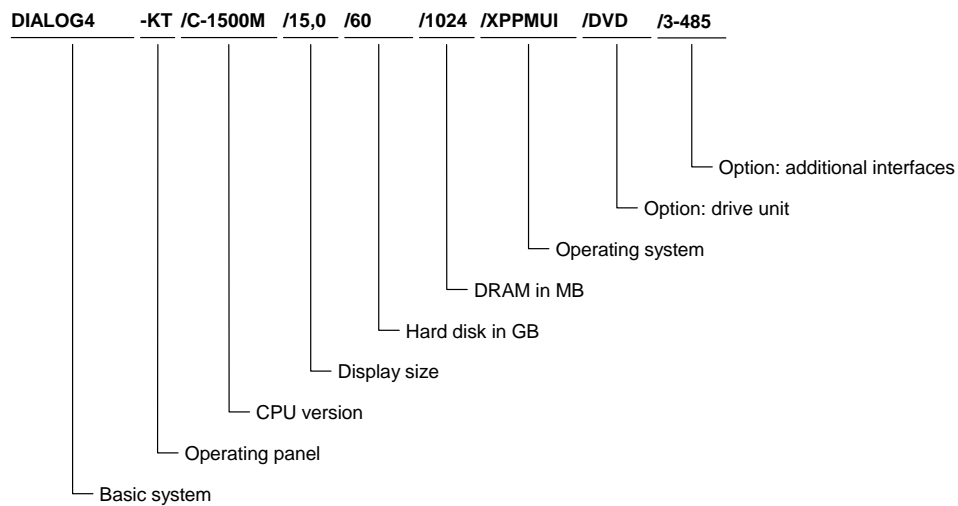


Fig. 2-1: Example for type identification

This page is left intentionally blank!